



LED Highbay Performer G3






- Highbay fixture with high efficacy of 125 lm/W
- Up to 80% energy savings compared to 250-400W metal-halide highbay
- Multiple beam angles and DALI versions available
- Equipped with IP65 connector
- Polycarbonate and opal cover available



Specifications

Item Code	Item Description	Equivalent to (W)	Power (W)	Lumen	Efficacy (lm/W)	CCT (K)	Beam angle	Weight (kg/pc)
140057960	LEDHighbay-P3 80W-4000-60D-GY	HID 250W	80	10000	125	4000	60 °	4.20
140057961	LEDHighbay-P3 80W-4000-100D-GY	HID 250W	80	10000	125	4000	100 °	4.20
140057962	LEDHighbay-P3 80W-4000-60+100D-GY	HID 250W	80	10000	125	4000	60 ° x 100 °	4.20
140057963	LEDHighbay-P3 120W-4000-60D-GY	HID 400W	120	15000	125	4000	60 °	4.20
140057964	LEDHighbay-P3 120W-4000-100D-GY	HID 400W	120	15000	125	4000	100 °	4.20
140057965	LEDHighbay-P3 120W-4000-60+100D-GY	HID 400W	120	15000	125	4000	60 ° x 100 °	4.20
140057966	LEDHighbay-P3 160W-4000-60D-GY	HID 400W	160	20000	125	4000	60 °	6.00
140057967	LEDHighbay-P3 160W-4000-100D-GY	HID 400W	160	20000	125	4000	100 °	6.00
140057968	LEDHighbay-P3 160W-4000-60+100D-GY	HID 400W	160	20000	125	4000	60 ° x 100 °	6.00
140057969	LEDHighbay-P3 80W-DALI-4000-60D-GY	HID 250W	80	10000	125	4000	60 °	4.20
140057970	LEDHighbay-P3 80W-DALI-4000-100D-GY	HID 250W	80	10000	125	4000	100 °	4.20
140057971	LEDHighbay-P3 80W-DALI-4000-60+100D-GY	HID 250W	80	10000	125	4000	60 ° x 100 °	4.20
140057972	LEDHighbay-P3 120W-DALI-4000-60D-GY	HID 400W	120	15000	125	4000	60 °	4.20
140057973	LEDHighbay-P3 120W-DALI-4000-100D-GY	HID 400W	120	15000	125	4000	100 °	4.20
140057974	LEDHighbay-P3 120W-DALI-4000-60+100D-GY	HID 400W	120	15000	125	4000	60 ° x 100 °	4.20
140057975	LEDHighbay-P3 160W-DALI-4000-60D-GY	HID 400W	160	20000	125	4000	60 °	6.00
140057976	LEDHighbay-P3 160W-DALI-4000-100D-GY	HID 400W	160	20000	125	4000	100 °	6.00
140057977	LEDHighbay-P3 160W-DALI-4000-60+100D-GY	HID 400W	160	20000	125	4000	60 ° x 100 °	6.00

Accessories

 140060030 LEDHighbay-P3-Bracket-80-120	 140044049 LEDHighbay-POLE-CT	 140064594 LEDHighbay-P3-Ball-Proof-160	 140060028 LEDHighbay-P3-Glass-Opal-80-120	 140063029 LEDHighbay-P3-PC-Clear-80-120
140044050 LEDHighbay-Bracket10-CT	140064595 LEDHighbay-P3-Ball-Proof-80-120	140060029 LEDHighbay-P3-Glass-Opal-160	140063027 LEDHighbay-P3-PC-Opal-80-120	140063030 LEDHighbay-P3-PC-Clear-160
				140063028 LEDHighbay-P3-PC-Opal-160

Bracket 10 fits 160W versions, Bracket 80-120W fits 80-120W versions.
 Glass Opal 80-120 fits 80-120W versions, Glass Opal 160 fits 160W versions.

Technical Specifications

Lifespan (L70B50)	70,000 h
Lifespan (L80B50)	50,000 h
On-/Off-cycles	100,000
Colour consistency (SDCM)	5
Dimmable	No / Yes (DALI)
Finishing	Grey 417U
Colour rendering index CRI	≥ 80
Degree of protection (IP)	IP65
Impact strength	IK08
Protection class	I
Risk group	RG1
Control gear included	Yes
Glow wire test	650 °C
Driver failure rate (at 5,000 hrs)	1 %
Power factor	≥ 0.90
Surge protection	4 kV

Electrical Supply

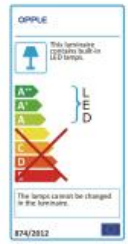
Frequency	50/60 Hz
Nominal voltage	220-240 V AC
DC input voltage	Yes, see Appendix 2

Mechanical Properties

Material housing	Aluminium
Optical material	PC + Glass
Cover material	PC + Glass

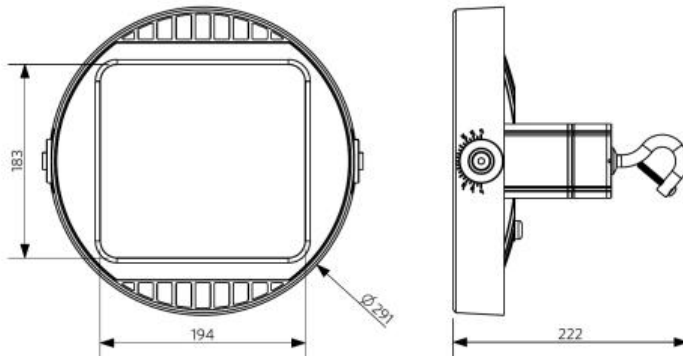
Ambient Conditions

Operating temperature	-25 ~ 50 °C
Application temperature	25 °C
Storage environment	-25 ~ 50 °C



Dimensional Drawing (mm)

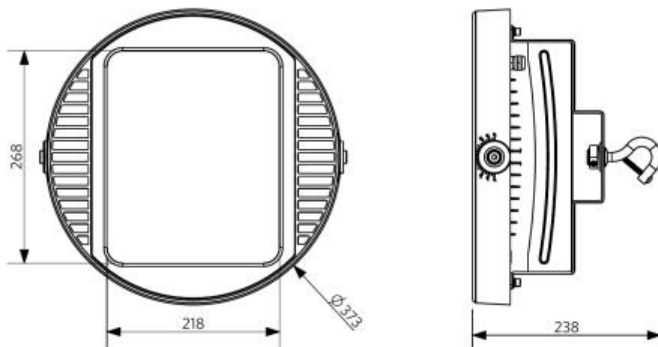
LEDHighbay-P3 80W
LEDHighbay-P3 120W



LEDHighbay-P3-Ball-Proof-80-120



LEDHighbay-P3 160W



LEDHighbay-P3-Ball-Proof-160

